

ESPLOSO
EXPLODED VIEW
VUE ÉCLATÉE

MACINADOSATORE SUPER JOLLY

SUPER JOLLY GRINDER DOSER
MOULIN DOSEUR SUPER JOLLY

ESSJDOS05 04/2016



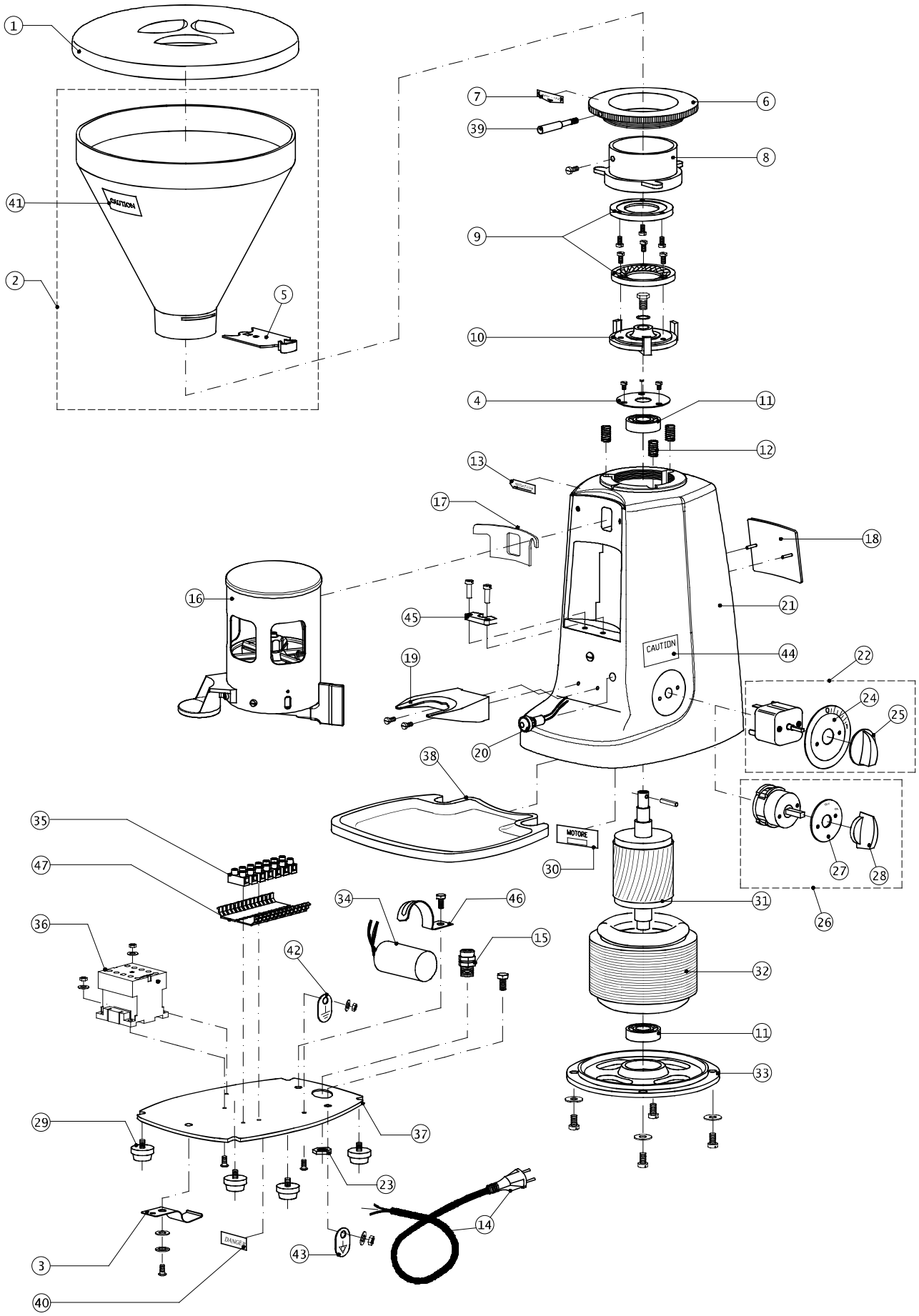
MAZZER LUIGI S.p.a
VIA MOGLIANESE, 113
30037 GARDIGIANO DI SCORZE' (VE)
ITALIA
TEL. +39 041 5830200 r.a. - FAX +39 041 5830060
E-mail: mazzler@mazzler.com - <http://www.mazzler.com>

N°	DESCRIZIONE DESCRIPTION DESCRIPTION	CODICE CODE CODE	Q ·	NOTE NOTES NOTE
1	Coperchio campana Hopper cover Couvercle de trémie	S000COD01/AQQ	1	
2	Campana conica S.Jolly con serranda Super Jolly hopper with locking slide Trémie SJ avec languette	S00SCAE08/QQQ	1	
3	Lamella ferma piattino Sheet for drip tray locking Plaque pour bloc plateau	SSJ0LAM01/AQQ	1	
4	Copricuscinetto Super Jolly Super Jolly cover bearing Couvre roulement Super Jolly	SSJ0COA01/BQQ	1	
5	Serranda Hopper locking slide Languette de trémie	SMI0SEB01/AQQ	1	
6	Ghiera regolazione macinatura Coffee grinding adjustment disc Volant régulation mouture	SSJ0GHA02/QQQ	1	
7	Etichetta "Grosso-Fine/Pos.iniz.Regolazione" "Coarse-Fine/Adjustment initial position" label Étiquette "Gros/Fin"	S000ETA03/AQQ	1	
8	Portamacine superiore Super Jolly Super Jolly upper grinding blade holder Porte meules supérieur Super Jolly	SSJ0POA03/BQQ	1	
9a	Coppia di macine (rif. 33DM) Grinding blade set (ref. 33DM) Paire de meules (rif. 33DM)	FMA00033M/QQQ	1	Versioni monofase Single phase versions Versions monophasé
9b	Coppia di macine (rif. 33DT) Grinding blade set (ref. 33DT) Paire de meules (rif. 33DT)	FMA00033T/QQQ	1	Versioni trifase Three phase versions Versions triphasé
10	Portamacine inferiore Super Jolly Super Jolly lower grinding blade holder Porte meules inférieure Super Jolly	SSJ0POA04/QQQ	1	
11	Cuscinetto 6202 DDU CM Bearing 6202 DDU CM Roulement 6202 DDU CM	S000CUA07/AQQ	2	
12	Molla regolazione macinatura Grinding adjustment spring Ressort régulation mouture	S000MOB14/AQQ	3	
13	Etichetta "Rotazione motore" "Motor rotation" label Étiquette "Rotation moteur"	S000ETA00/AQQ	1	
14a	Cavo elettrico - Italia Electrical cable - Italy Câble électrique - Italie	S000CAD01/BQQ	1	
14b	Cavo elettrico - Europa Electrical cable - Europe Câble électrique - Europe	S000CAD04/CQQ	1	
14c	Cavo elettrico - America Electrical cable - USA Câble électrique - USA	S000CAD05/BQQ	1	
14d	Cavo elettrico - Australia Electrical cable - Australia Câble électrique - Australie	S000CAD07/BQQ	1	
14e	Cavo elettrico - Gran Bretagna Electrical cable - Great Britain Câble électrique - Angleterre	S000CAD08/CQQ	1	
14f	Cavo elettrico - Israele Electrical cable - Israel Câble électrique - Israël	S000CAD10/BQQ	1	
14g	Cavo elettrico - Svizzera Electrical cable - Switzerland Câble électrique - Suisse	S000CAD06/BQQ	1	
14h	Cavo elettrico - Cina Electrical cable - China Câble électrique - Chine	S000CAD16/QQQ	1	
14i	Cavo elettrico - Argentina Electrical cable - Argentina Câble électrique - Argentine	S000CAD18/QQQ	1	
14j	Cavo elettrico - Corea Electrical cable - Korea Câble électrique - Corée	S000CAD19/QQQ	1	

N°	DESCRIZIONE DESCRIPTION DESCRIPTION	CODICE CODE CODE	Q ·	NOTE NOTES NOTE
14k	Cavo elettrico - Brasile Electrical cable - Brazil Câble électrique - Brésil	S000CAD20/QQQ	1	
14l	Cavo elettrico - trifase 230V Electrical cable - three phase 230V Câble électrique - triphasé 230V	S000CAD09/BQQ	1	
14m	Cavo elettrico - trifase 400V Electrical cable - three phase 400V Câble électrique - triphasé 400V	S000CAD03/DQQ	1	
15	Passacavo HSK-K PG11 nero HSK-K PG11 cable locking - black Passe câble HSK-K PG11 noir	S000PAB15/QQQ	1	
16a	Gruppo dosatore manuale-timer Manual-Timer doser Ensemble doseur manuelle-temporisée	SSJSGRA01/BQQ	1	
16b	Gruppo dosatore automatico Automatic doser Ensemble doseur automatique	SSJSGRL03/QQQ	1	
16c	Gruppo dosatore manuale-timer con contacoli Manual-Timer doser with counter Ensemble doseur manuelle-temporisée avec compteur	SSJSGRA05/BQQ	1	
16d	Gruppo dosatore manuale-timer ETL Manual-Timer doser ETL Ensemble doseur manuelle-temporisée ETL	SSJSGRE01/QQQ	1	Versioni ETL ETL versions Versions ETL
16e	Gruppo dosatore automatico ETL Automatic doser ETL Ensemble doseur automatique ETL	SSJSGRE03/QQQ	1	Versioni ETL ETL versions Versions ETL
16f	Gruppo dosatore manuale-timer con contac ETL Manual-Timer doser with counter ETL Ensemble doseur manuelle-temporisée avec comp. ETL	SSJSGRE05/QQQ	1	Versioni ETL ETL versions Versions ETL
17	Guarnizione Aer-Stop Gasket Aer-Stop Garniture Aer-Stop	S000GUA01/QQQ	1	
18	Targa MAZZER 4M "MAZZER 4M" plate Plaque "MAZZER 4M"	S000TAA02/AQQ	1	
19	Forchetta Fork Fourchette	S000FOB02/CQQ	1	
20a	Lampadina spia 230/400V, verde Pilot light 230/400V, green Lampe témoin 230/400V, vert	S000LAA06/QQQ	1	Versioni/Versions/Versions 220V/60Hz/1ph 220-240V/50Hz/1ph 230-400V/50Hz/3ph
20b	Lampadina spia 110V UL, rossa Pilot light 110V UL, red Lampe témoin 110V UL, rouge	S000LAA07/QQQ	1	Versioni/Versions/Versions 100V/50-60Hz/1ph 110V/60Hz/1ph 115-127V/60Hz/1ph
21	Castello Super Jolly Super Jolly body Carrosserie Super Jolly	SSJ0CAA02/BQQ	1	
22a	Timer bipolare Two pole time switch Interrupteur à temps bipolaire	S000TIA02/AQQ	1	Versione timer monofase Timer single phase version Version temporisée monophasé
22b	Timer tripolare Three pole time switch Interrupteur à temps tripolaire	S000TIA03/AQQ	1	Versione timer trifase Timer three phase version Version temporisée triphasé
23	Dado poliammide PG11 nero Nut for cable locking PG11 Ecrou PG11 par passé câble	S000DAA02/QQQ	1	
24	Targa Timer Time switch plate Plaque interrupteur à temps	S000TAA03/QQQ	1	Versione timer Timer version Version temporisée
25	Manopolina Timer Time switch knob Manette interrupteur à temps	S000MAB01/QQQ	1	Versione timer Timer version Version temporisée
26a	Interruttore rotativo bipolare Two pole rotative switch Interrupteur rotatif bipolaire	S000INA09/AQQ	1	Versione manuale monofase Manual single phase version Version manuelle monophasé
26b	Interruttore rotativo tripolare Three pole rotative switch Interrupteur rotatif tripolaire	S000INA04/AQQ	1	Versione manuale trifase Manual three phase version Version manuelle triphasé

N°	DESCRIZIONE DESCRIPTION DESCRIPTION	CODICE CODE CODE	Q ·	NOTE NOTES NOTE
26c	Interruttore rotativo bipolare + fase aus. Two pole rotative switch + auxiliary phase Interrupteur rotatif bipolaire + phase auxiliaire	S000INA13/AQQ	1	Versione automatica monofase Automatic single phase version Version automatique monophasé
26d	Interruttore rotativo tripolare + fase aus. Three pole rotative switch + auxiliary phase Interrupteur rotatif tripolaire + phase auxiliaire	S000INA10/AQQ	1	Versione automatica trifase Automatic three phase version Version automatique triphasé
27a	Targa interruttore O/I Switch plate - O/I Plaque interrupteur O/I	S000TAA08/QQQ	1	Versione manuale Manual version Version manuelle
27b	Targa interruttore O/I/START Switch plate - O/I/START Plaque interrupteur O/I/START	S000TAA07/QQQ	1	Versione automatica Automatic version Version automatique
28	Manopolina interruttore Switch knob Manette interrupteur	S000MAB05/QQQ	1	
29	Piedino completo Support legs Pied complet	S00SPIA01/QQQ	4	
30	Etichetta motore Motor label Étiquette moteur	-	1	
31	Rotore Rotor Rotor	SSJ0ROA01/QQQ	1	
32a	Statore avvolto monofase 220-240V/50Hz Coiled stator single phase 220-240V/50Hz Stator monophasé 220-240V/50Hz	SSJSPA01/AQQ	1	Versioni/versions/Versions 220-240V/50Hz/1ph
32b	Statore avvolto monofase 110V/60Hz Coiled stator single phase 110V/60Hz Stator monophasé 110V/60Hz	SSJSPA04/AQQ	1	Versioni/versions/Versions 110V/60Hz/1ph 115-127V/50Hz/1ph
32c	Statore avvolto monofase 220V/60Hz Coiled stator single phase 220V/60Hz Stator monophasé 220V/60Hz	SSJSPAS01/BQQ	1	Versioni/versions/Versions 220V/60Hz/1ph
32d	Statore avvolto monofase 100V/50-60Hz Coiled stator single phase 100V/50-60Hz Stator monophasé 100V/50-60Hz	SSJSPAJ00/AQQ	1	Versioni/versions/Versions 100V/50-60Hz/1ph
32e	Statore avvolto trifase 230-400V/50Hz Coiled stator three phase 230-400V/50Hz Stator triphasé 230-400V/50Hz	SSJSPA03/AQQ	1	Versioni/versions/Versions 230-400V/50Hz/3ph
33	Calotta motore Super Jolly Super jolly Motor cap Couvercle moteur super jolly	SSJ0CAB02/AQQ	1	
34a	Condensatore 8µF Capacitor 8µF Condensateur 8µF	S000COE01/AQQ	1	Versioni/versions/Versions 220V/60Hz/1ph 230-240V/50Hz/1ph
34b	Condensatore 10µF Capacitor 10µF Condensateur 10µF	S000COE02/AQQ	1	Versioni/versions/Versions 220-230V/50Hz/1ph
34c	Condensatore 30µF UL Capacitor 30µF UL Condensateur 30µF UL	S000COE08/QQQ	1	Versioni/versions/Versions 110V/60Hz/1ph 115-127V/50Hz/1ph
34d	Condensatore 40µF UL Capacitor 40µF UL Condensateur 40µF UL	S000COE15/QQQ	1	Versioni/versions/Versions 100V/50-60Hz/1ph
35	Morsettiera Terminal blocks Domino	P000MOA04/QQQ	-	Multipli di 12 poli Multiples of 12 poles Multiples de 12 pôles
36a	Contattore BG9,10 - 110V/60Hz Contactor BG9,10 - 110V/60Hz Contacteur BG9,10 - 110V/60Hz	S000COC20/QQQ	1	Versioni/versions/Versions 110V/60Hz/1ph Aut.
36b	Contattore BG9,10 - 220V/60Hz Contactor BG9,10 - 220V/60Hz Contacteur BG9,10 - 220V/60Hz	S000COC28/QQQ	1	Versioni/versions/Versions 220V/60Hz/1ph Aut.
36c	Contattore 3RT1016 - 240V/50Hz Contactor 3RT1016 - 240V/50Hz Contacteur 3RT1016 - 240V/50Hz	S000COC26/QQQ	1	Versioni/versions/Versions 240V/50Hz/1ph Aut.
36d	Contattore BG9,10 - 230V/50Hz Contactor BG9,10 - 230V/50Hz Contacteur BG9,10 - 230V/50Hz	S000COC18/QQQ	1	Versioni/versions/Versions 220-230V/50Hz/1ph Aut. 220-230V/50Hz/3ph

N°	DESCRIZIONE DESCRIPTION DESCRIPTION	CODICE CODE CODE	Q ·	NOTE NOTES NOTE
36e	Contattore 3RT1016 - 400V/50Hz Contactor 3RT1016 - 400V/50Hz Contacteur 3RT1016 - 400V/50Hz	S000COC27/QQQ	1	Versioni/versions/Versions 380-400V/50Hz/3ph
36f	Contattore BG9,10 - 100V/50-60Hz Contactor BG9,10 - 100V/50-60Hz Contacteur BG9,10 - 100V/50-60Hz	S000COC24/QQQ	1	Versioni/versions/Versions 100V/50-60Hz/1ph Aut.
37a	Piastra di base S.Jolly S.Jolly bottom plate Plaque fonte dessous moulin S.Jolly	SSJ0PIT01/AQQ	1	Versione man.-timer monofase Manual-Timer single phase version Version man.-temporisée monophasé
37b	Piastra di base S.Jolly trifase S.Jolly three phase bottom plate Plaque fonte dessous moulin S.Jolly triphase	SSJ0PIT02/AQQ	1	Versione automatica Versione man.-timer trifase Automatic version Manual-Timer three phase version Version automatique Version man.-temporisée triphasé
38	Piattino S.Jolly-Major-Kony S.Jolly-Major-Kony drip tray Plateau S.Jolly-Major-Kony	SSJ0PIB02	1	
39	Perno ghiera Grinding adjustment disc handle Tige de volant régulation mouture	S00SPEA00/QQQ	1	
40	Etichetta "DANGER" "DANGER" label Étiquette "DANGER"	S000ETA14/BQQ	1	Versioni/versions/Versions 100V/50-60Hz/1ph 110V/60Hz/1ph 115-127V/60Hz/1ph 220V/60Hz/1ph
41	Etichetta "DANGER-HOPPER" "DANGER-HOPPER" label Étiquette "DANGER-HOPPER"	S000ETA15/BQQ	1	Versioni/versions/Versions 100V/50-60Hz/1ph 110V/60Hz/1ph 115-127V/60Hz/1ph 220V/60Hz/1ph
42	Targa "Terra" "Ground" plate Plaque "Terre"	S000TAA18/QQQ	1	
43	Targa "Morsetto equipotenziale esterno" "External equipotential clamp" plate Plaque "Borne equipotentielle externe"	S000TAA19/QQQ	1	Versioni CE CE versions Versions CE
44	Targa "CAUTION" "CAUTION" plate Plaque "CAUTION"	S000TAA20/QQQ	1	Versioni/versions/Versions 100V/50-60Hz/1ph 110V/60Hz/1ph 115-127V/60Hz/1ph
45	Piastrina fissaggio dosatore Doser fixing block ETL Plaque de fixage doser ETL	S000PIA10/AQQ	1	
46	Graffa zincata FR40 Capacitor locking clamp FR40 Agrafe zingué FR40	S000GRB05/QQQ	1	
47	Sottomorsettiera under terminal board Sous domino	P000SOT02/QQQ	-	Multipli di 24 poli Multiples of 24 poles Multiples de 24 pôles



N°	DESCRIZIONE DESCRIPTION DESCRIPTION	CODICE CODE CODE	Q ·	NOTE NOTES NOTE
1	Coperchio dosatore Doser cover Couvercle doseur	S000C0D02/QQQ	1	
2	Cilindro dosatore Doser cylinder Cylindre doseur	S000CIA01/QQQ	1	
3	Manopolina di regolazione Dose adjustment knob Ecrou de réglage des doses	S000MAB02/AQQ	1	
4	Stella smuovicaffè con astina Upper dosing star Etoile supérieur des doses	SSJSSTA04/QQQ	1	
5	Settore copriforo Coffee outlet covering section plate Entretoise	S000SEA01/QQQ	1	
6	Stella femmina Female dosing star Etoile femelle	S000STA03/BQQ	1	
7	Molla pressione dosatura Dosing system pressing spring Ressort pression dosage	S000MOB05/QQQ	1	
8	Stella maschio Male dosing star Etoile mâle	S000STA02/BQQ	1	
9	Microsuperiore completo Upper microswitch Micro-supérieur complet	S00SMIA07/QQQ	1	Versione automatica Automatic version Version automatique
10a	Tubo dosatore manuale Manual doser pipe Corps de doseur moulin manuelle	SSJ0TUA05/QQQ	1	Versioni man-timer no contac. Man-Timer versions without counter Versions man-temp sans compteur
10b	Tubo dosatore automatico Automatic doser pipe Corps de doseur moulin automatique	SSJ0TUA06/QQQ	1	Versione automatica Versioni manuale-timer Automatic version Man-Timer versions with counter Version automatique Versions man-temp avec compteur
11a	Pressino D.53 Coffee pressing device D.53 Presse-café D.53	S000PRA02/QAQ	1	
11b	Pressino D.54,5 Coffee pressing device D.54,5 Presse-café D.54,5	S000PRA02/QQQ	1	
11c	Pressino D.57,5 Coffee pressing device D.57,5 Presse-café D.57,5	S000PRA02/QCQ	1	
12	Anello di compensazione D.32 Corrugated ring D.32 Anneau ondulé D.32	S000ANA01/QQQ	1	
13	Cricco Ratchet Cliquet denté	S000CRA04/QQQ	1	
14	Vite di regolazione dosatura Doser adjustment screw - M8x70 Vis de régulation dosage	S000VIA01/QQQ	1	
15	Molla microscatto inferiore Lower microswitch spring Ressort de micro-inférieure	S000MOB06/QQQ	1	Versione automatica Automatic version Version automatique
16	Stella microinferiore Lower microswitch star Etoile demarage micro-inférieure	S000STA05/QQQ	1	Versione automatica Automatic version Version automatique
17	Microinferiore completo Lower microswitch Micro-inférieure complet	S00SMIA11/QQQ	1	Versione automatica Automatic version Version automatique
18	Contacolpi completo Counter Compteur complet	S00SC0B02/QQQ	1	Versione automatica Versioni man-timer con contac. Automatic version Man-Timer versions with counter Version automatique Versions man-temp avec compteur
19	Molla ritorno leva di dosatura Dosing lever return spring Ressort rappel poignée de doseur	S000MOB03/QQQ	1	

N°	DESCRIZIONE DESCRIPTION DESCRIPTION	CODICE CODE CODE	Q ·	NOTE NOTES NOTE
20	Nasello dosatore Nose Décllic doseur	S000NAA01/AQQ	1	
21	Fondo dosatore Doser bottom Fond de doseur	S000FOA05/QQQ	1	
22	Molla nasello Nose spring Ressort décllic	S000MOB04/QQQ	1	
23	Leva di dosatura Dosing lever Manet de doseur	S00SLEA06/QQQ	1	
24	Fondo dosatore completo Doser bottom set Fond de doseur complet	S00SFOA03/QQQ	1	
25	Protezione uscita caffè Coffee outlet guard Protection sortie café	S000PRB02/QQQ	1	
26	Vite senza taglio Screw without slot Vis sans coupe	S000VIA04/QQQ	2	Versioni ETL ETL versions Versions ETL
27	Cuscinetto 688 ZZ Bearing 688 ZZ Roulement 688 ZZ	S000CUA14/QQQ	2	
28	Distanziale stella micro inferiore Lower microswitch star space Entretoise étoile micro inferieure	S000DIA01/AQQ	1	Versione automatica Automatic version Version automatique
29	Etichetta "Danger" Label "danger" Etiquette "danger"	S000ETA14/BQQ	1	Versioni/versions/versions 100V/50-60Hz/1ph 110V/60Hz/1ph 115-127V/60Hz/1ph 220V/60Hz/1ph
30	Stella femmina maggiorata Oversized female dosing star Etoile femelle élevée	S000STA06/AQQ	1	
31	Manopolina per stella maggiorata Oversized dose adjustment knob Ecrou pour étoile femelle élevée	S000MAB03/AQQ	1	
32	Stella maggiorata + manopolina Oversized star with dosing knob Etoile élevée + écrou de réglage des doses	S00SGRA08/AQQ	1	
33	Settore copriforo stella maggiorata Coffee outlet cov. Section plate ovs dose entretoise pour étoile élevéé	S000SEA02/QQQ	1	
34	Boccola fondo dosatore Plain bearing for doser bottom Palier lisse pour fond de doseur	S000BOC12/QQQ	1	
35	Boccola scorrimento cricco Ratchet Roue dentée	S000BOC13/QQQ	1	

